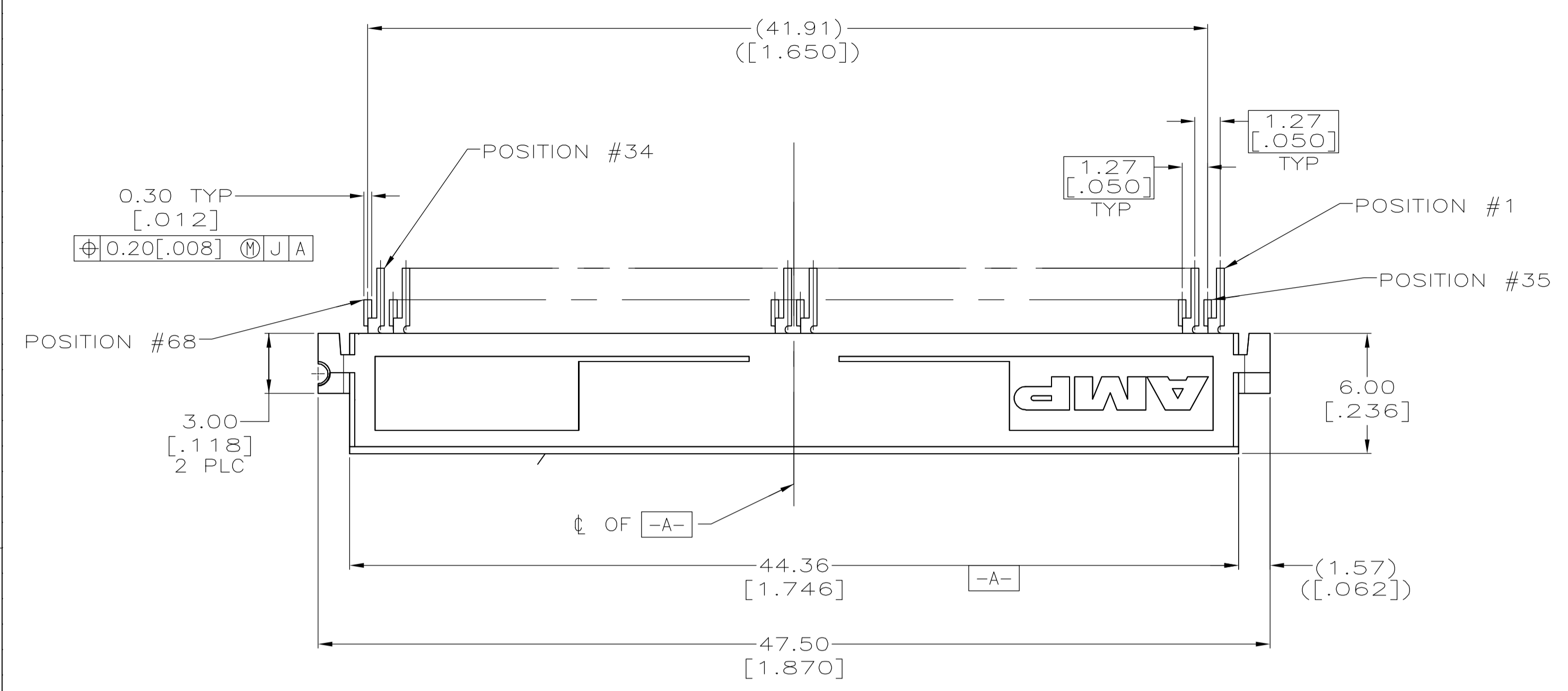
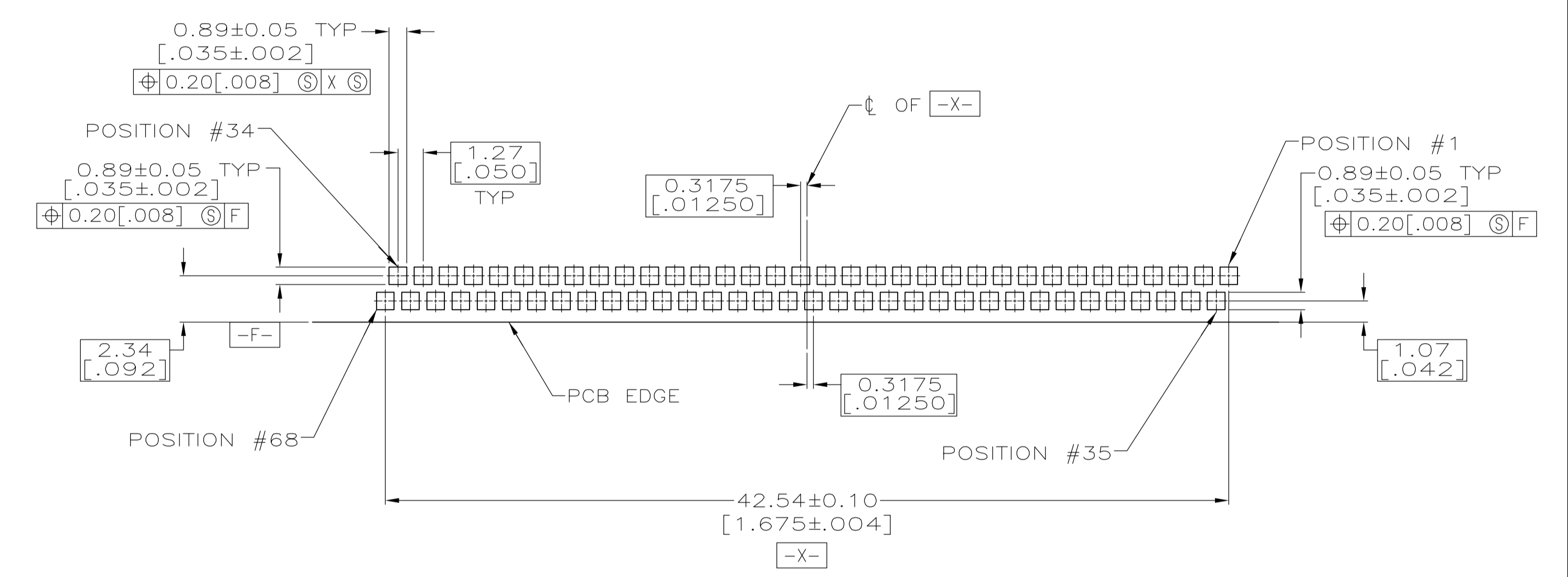
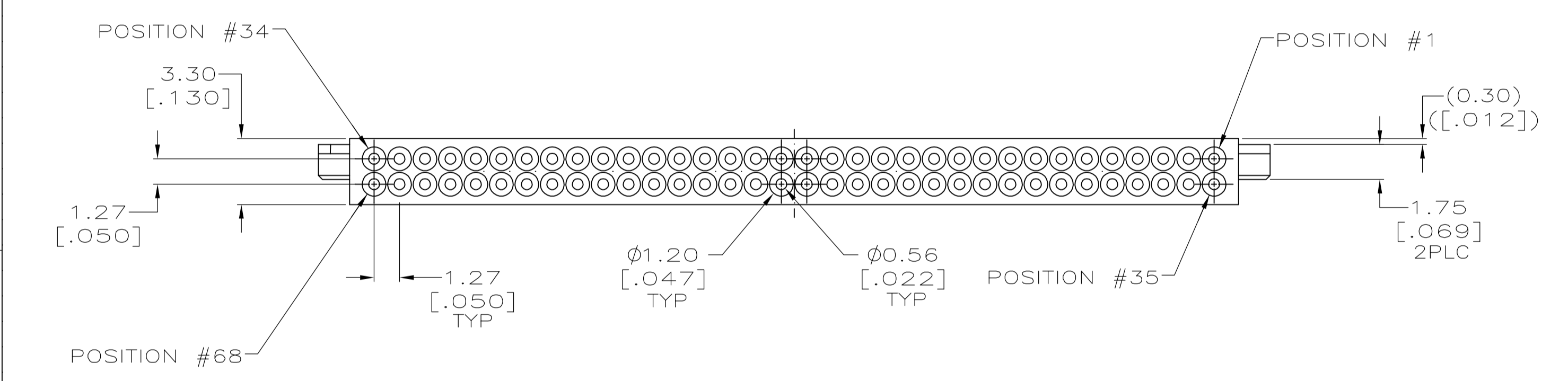


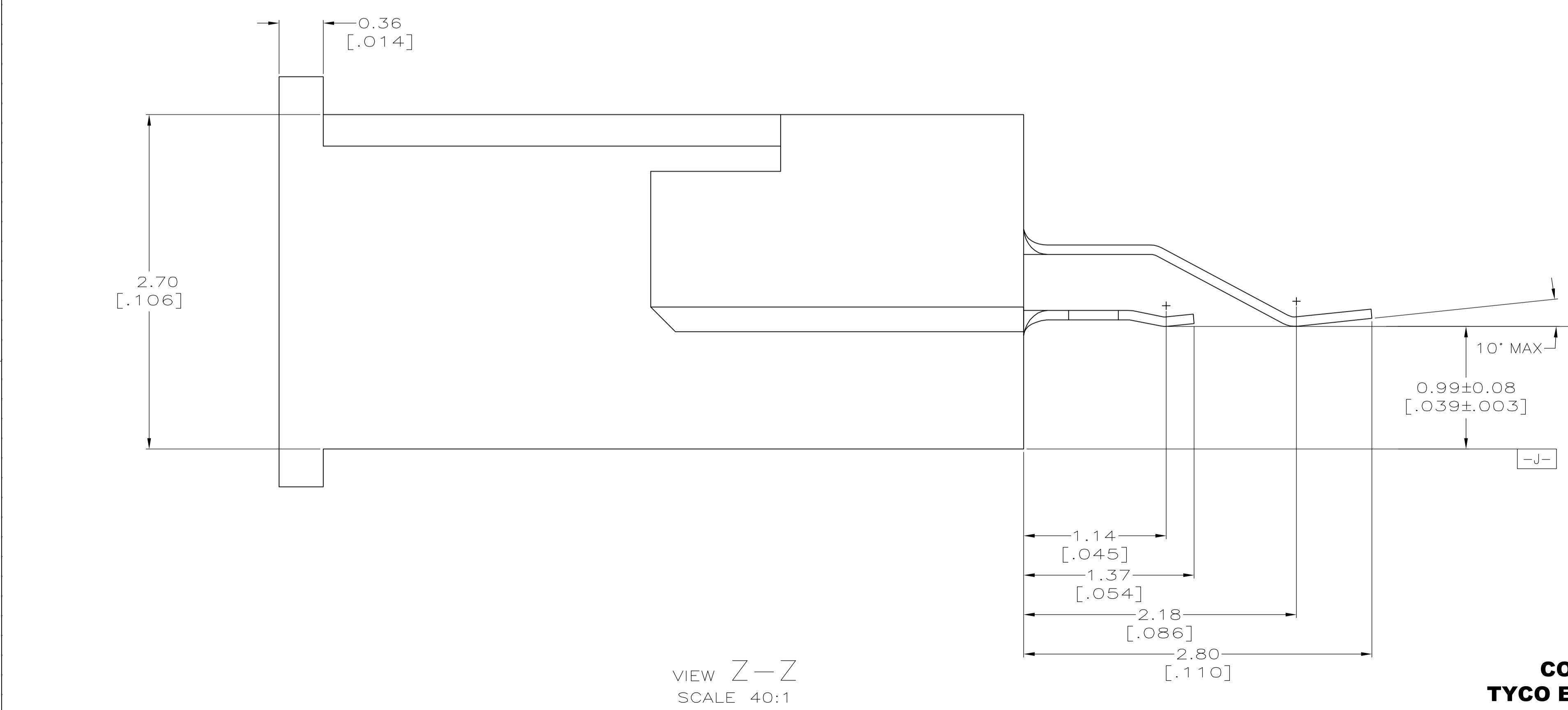
LOC		DIST		REVISIONS			
GP	00	REV	DATE	BY	APPV		
		0	RELEASED PER EC 0513-0006-05	02-18-05	GA	JG	



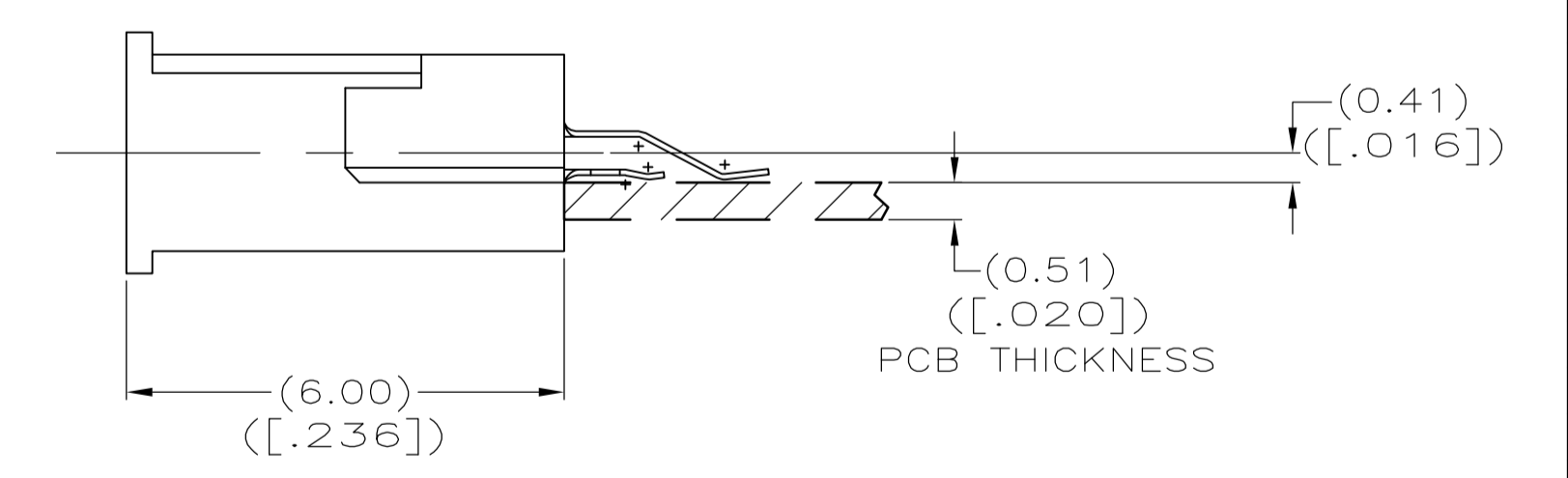
- ① HOUSING: LCP, GLASS FILLED, COLOR: BLACK.
- ② CONTACT: BERYLLIUM COPPER.
- ③ DIMENSION IN REFERENCE TO LOWEST POINT OF EACH LEAD.
- ④ POINT OF CONTACT 2.3[.091] REF FROM MATING FACE.
- ⑤ APPLIES TO ALL SOLDER TAILS.
- ⑥ PACKAGED IN 56mm WIDE TAPE AND REEL.
- △ CONTACT: 0.00076[.000030] MINIMUM GOLD ON MATING AREA, 0.00064[.000025] MINIMUM SEMI-BRIGHT NICKEL ON MATING AREA, 0.00254[.000100] MINIMUM MATTE TIN ON SOLDER TAIL, ALL OVER 0.00127[.000050] MINIMUM MATTE NICKEL.



RECOMMENDED PC BOARD LAYOUT



VIEW Z-Z
SCALE 40:1



PC BOARD LOCATION (REF)
SCALE: 10:1

**COPYRIGHT 2005
TYCO ELECTRONICS CORP
ALL RIGHTS RESERVED**

THIS DRAWING IS A CONTROLLED DOCUMENT.		DWG G. ATTADIA - 02-18-05	Tyco Electronics Corporation Harrisburg, Pa 17105-3608	
DIMENSIONS: mm[INCHES]		CHK D. GORENC	APVD M. WALMSLEY	
TOLERANCES UNLESS OTHERWISE SPECIFIED:		NAME RCPT ASSEMBLY, SURFACE MOUNT, 68 POS. 0.41mm/.016in OFFSET, AMP MEMORY CARD		
0 PLC ± -	1 PLC ± -	PRODUCT SPEC	SIZE	CAGE CODE
2 PLC ± 0.13[.005]	3 PLC ± -	APPLICATION SPEC	A1	00779
4 PLC ± -	ANGLES ± ± 30°	WEIGHT	DRAWING NO 5146322	
MATERIAL	FINISH	CUSTOMER DRAWING	SCALE	SHEET
			1:1	1 of 1
				REV 0